

Volts-1000VAC/DC Amps-0.44A to 15A

10CT8-xxAS Series, DMI Application

10CT8 As Series



Features

- Fast Acting, high breaking capacity under 1000VAC/DC
- 10x38mm physical size
- Ceramic tube, Silver plated copper cap construction
- Design For DMI application (Multi-Meters)
- RoHS and Lead Free

Applications

- DC drives Power Distribution Unit (PDU)
- Energy storage device
- Inverters
- Maintenance Safety Disconnect (MSD)



Specification

Part Number *	Rated Current (A)	Rated Voltage (Vac/ dc)	Breaking Capacity
10CT8-R440S-x	0.44	1000	30KA/50KA
10CT8-R500S-x	0.50	1000	30KA/50KA
10CT8-1AS-x	1.00	1000	30KA/50KA
10CT8-1.5AS-x	1.50	1000	30KA/50KA
10CT8-2AS-x	2.00	1000	30KA/50KA
10CT8-4AS-x	4.00	1000	30KA/50KA
10CT8-10AS-x	10.00	1000	30KA/50KA
10CT8-11AS-x	11.00	1000	30KA/50KA
10CT8-12AS-x	12.00	1000	30KA/50KA
10CT8-15AS-x	15.00	1000	30KA/50KA

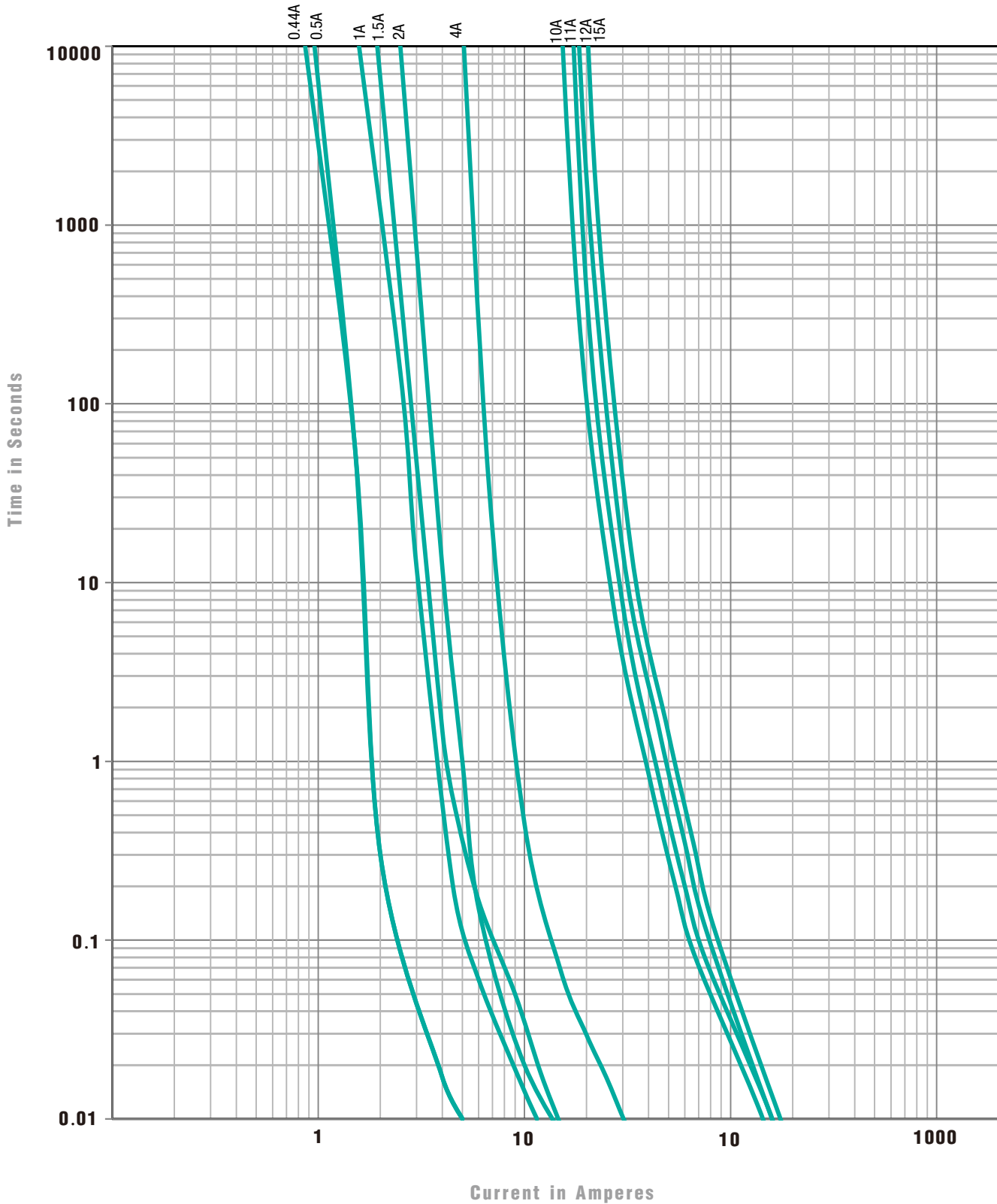
- Interrupting rating 50kA
- Typical pre-arcing I^2t measured at 10In
- Tested at 70% rated current, the temperature rise is less than or equal to 50K
- Operating ambient temperature range : -40°C to +125°C
- * "-x", Holder Code E or F

Volts-1000VAC/DC Amps-0.44A to 15A

10CT8-xxAS Series, DMI Application

10CT8 AS Series

Time-Current Characteristics



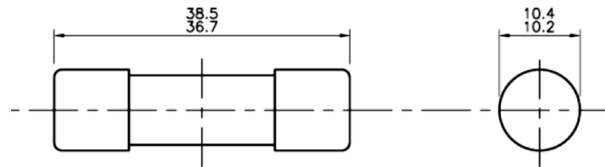
Volts-1000VAC/DC Amps-0.44A to 15A

10CT8-xxAS Series, DMI Application

10CT8 AS Series

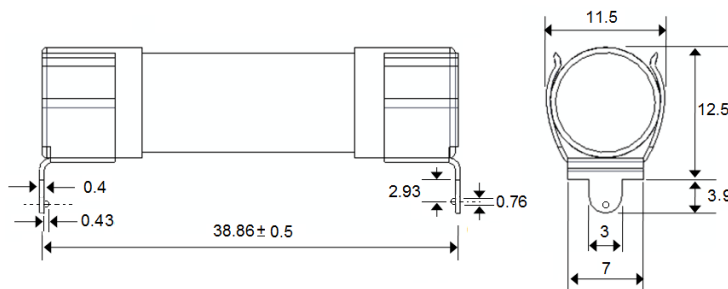
Dimension(Unit:mm)

Standard cylindrical, ordering code – **10CT8-xxAS**

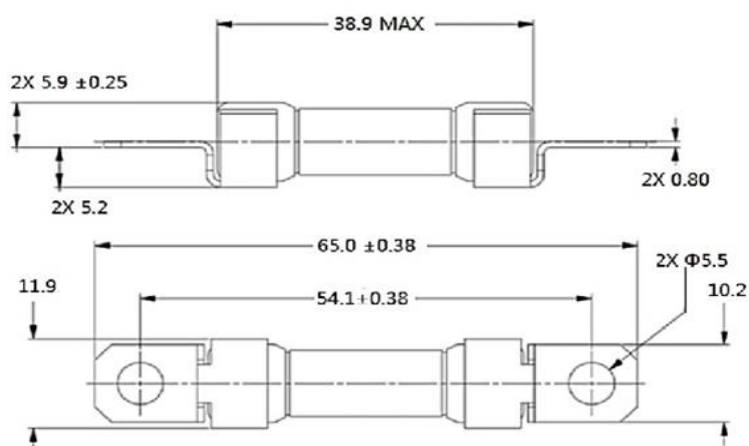


Fuse Clip for PCB mounting P/N:	AC-10P
Material:	Phosphor Bronzes
Surface plating:	Bright Tin
Thickness:	0.80mm

With PCB wave-soldering terminals, ordering code – **10CT8-xxAS-P**



With bolt-in terminals, ordering code – **10CT8-xxAS-B**



Carton Quantity

10 pcs in 1 carton